

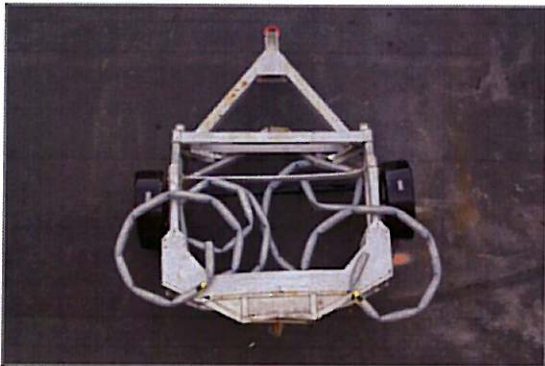
VORTEQ® TL-3 TRAILER TMA



**Efficient Trailer
TMA Protection
that meets
NCHRP 350 TL-3 &
UK TD 49/07 for
110 km/h**

OVERVIEW

The Vorteq TL-3 Trailer is an innovative attenuator efficiently designed to meet both mandatory and optional NCHRP 350, Test Level 3 requirements. It also meets the UK requirements for Lorry Mounted Crash Cushions at the highest velocity level of 110 km/h (TD 49/07). The easy to operate Vorteq TL-3 Trailer TMA is lightweight and attaches to all types of host vehicles with a standard pintle hook and 7 pin electrical connector. Acceptable host vehicle weight is 4518 kg. to infinite weight. No modifications are required of the host vehicle. Super fast attachment means you have full TMA protection in less than a minute. The open frame design means inspection and maintenance is quick and easy. As it is a trailer, you can affordably provide TMA protection to more of your fleet, including specialty vehicles. The sleek Vorteq TL-3 Trailer TMA implements innovative multi-stage, tube-in-tube energy absorbing technology that inwardly shapes the steel tubing. This significantly reduces debris scatter thus reducing the potential for secondary accidents. The tube-in tube design, along with the collapsible forward X-Brace improves structural stability. This efficiently robust design helps ensure years of durable performance.



POST IMPACT DEBRIS CONTAINMENT

With any high speed accident, it is expected that some material will scatter throughout the accident "zones". The debris scatter presents a hazard to other traffic, pedestrians, personnel in the work zone, and ultimately the clean up crew. The Vorteq TL-3 Trailer TMA is designed to minimize the TMA debris scatter by curling the energy absorbing frame rails inwardly. This inward spiraling of the tubes creates a contained and compact system that is safer, easier, and quicker to clean up and remove after impact. Furthermore, the wheels and axle are designed to stay connected and functional after design impacts thus allowing the damaged unit to be driven away by the host vehicle without additional equipment or special tow vehicles.

VORTEQ® TL-3 TRAILER TMA



FEATURES AND BENEFITS

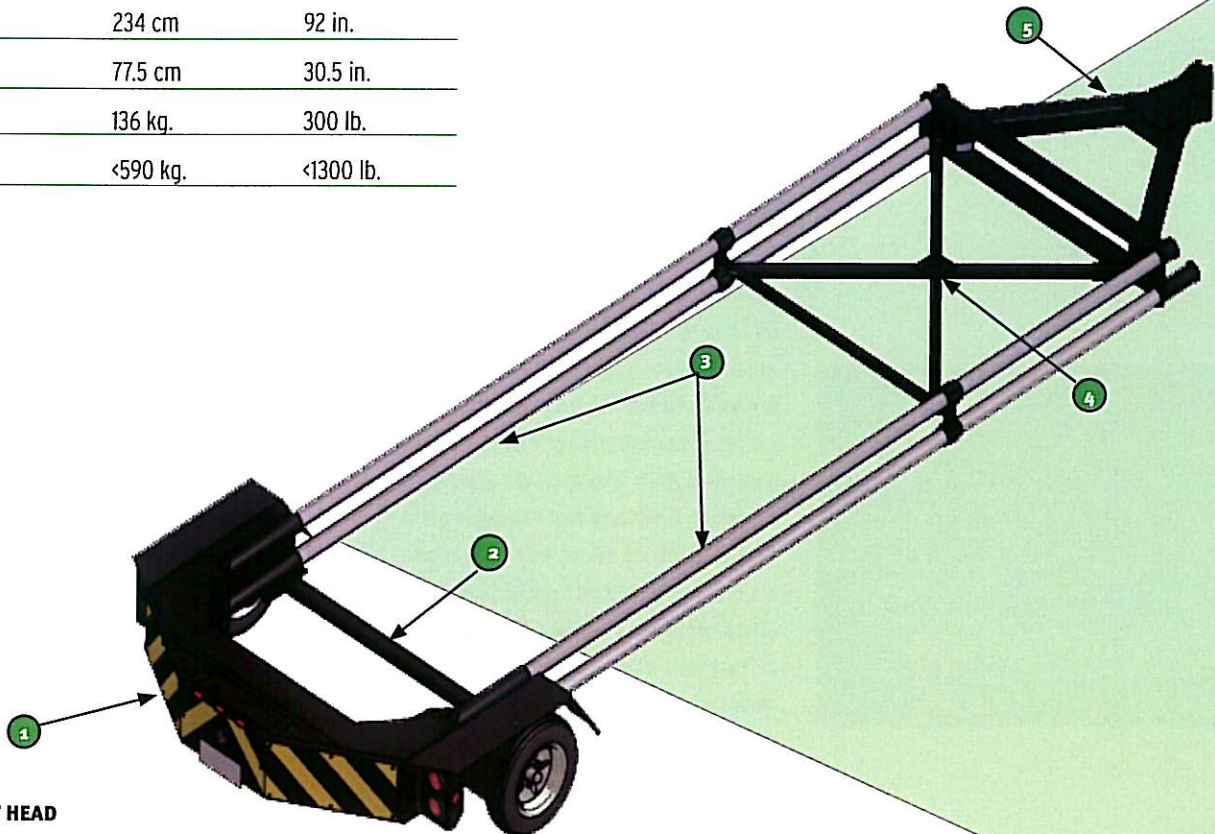
- All Galvanized Steel Components
- Single Pintle Hook Attachment
- LED Trailer Lighting Package
- 7 Pin Trailer Electrical Connector
- Safety Breakaway Chains
- Torsional Axle
- 1900 lb. Trailer Jack
- Integrated Custom Fenders

OPTIONAL EQUIPMENT AVAILABLE:

- Premium System Cover
- Arrowboard Mounting Systems
- Arrowboard
- Bearing Buddies

SPECIFICATIONS

Length	6.98 m	22.9 ft.
Width	234 cm	92 in.
Height	77.5 cm	30.5 in.
Tongue Weight	136 kg.	300 lb.
Total Weight	<590 kg.	<1300 lb.



- 1 **IMPACT HEAD**
- 2 **WHEEL/AXLE ASSEMBLY**
- 3 **TUBE -IN- TUBE FRAME RAILS**
- 4 **X-BRACE**
- 5 **TONGUE ASSEMBLY**

DISTRIBUTED BY:

Contractors Barricade Service
P.O. Box 913
Porter, TX 77365

Phone: (281) 360-6098
Fax: (281) 360-6091
Email: cbs.tx@msn.com